

Lubrication

Preventative Maintenance

1. Start out by oiling the entire machine. The machine has been properly greased before leaving the Mereen-Johnson assembly floor.

Do not regrease the motor bearings.



2. Set up a lubrication schedule. See example at the end of the section
3. See the machine placard for specific location of oil cups and grease fittings.

Grease every 400 hours of running time. *Do not over grease.* Excessive greasing will cause the bearings to run *hot*.

Greasing

Use only a premium grade Hi-Speed Extreme Pressure (EP) ball bearing grease. Refer to the following pages for recommendations.

Wipe off all grease fittings before and after greasing.

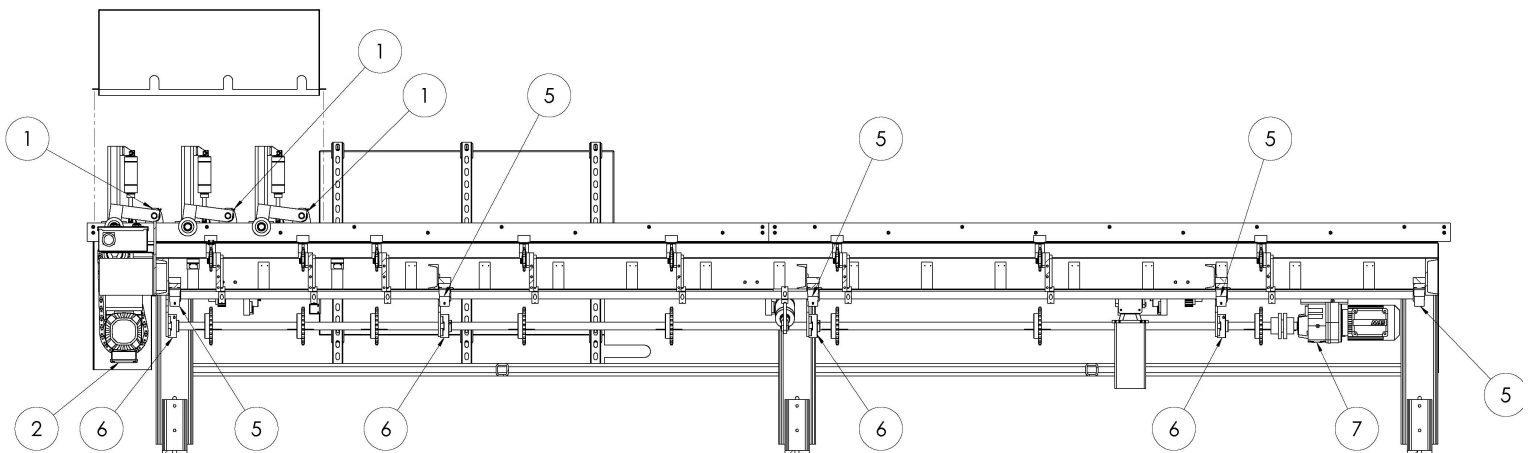
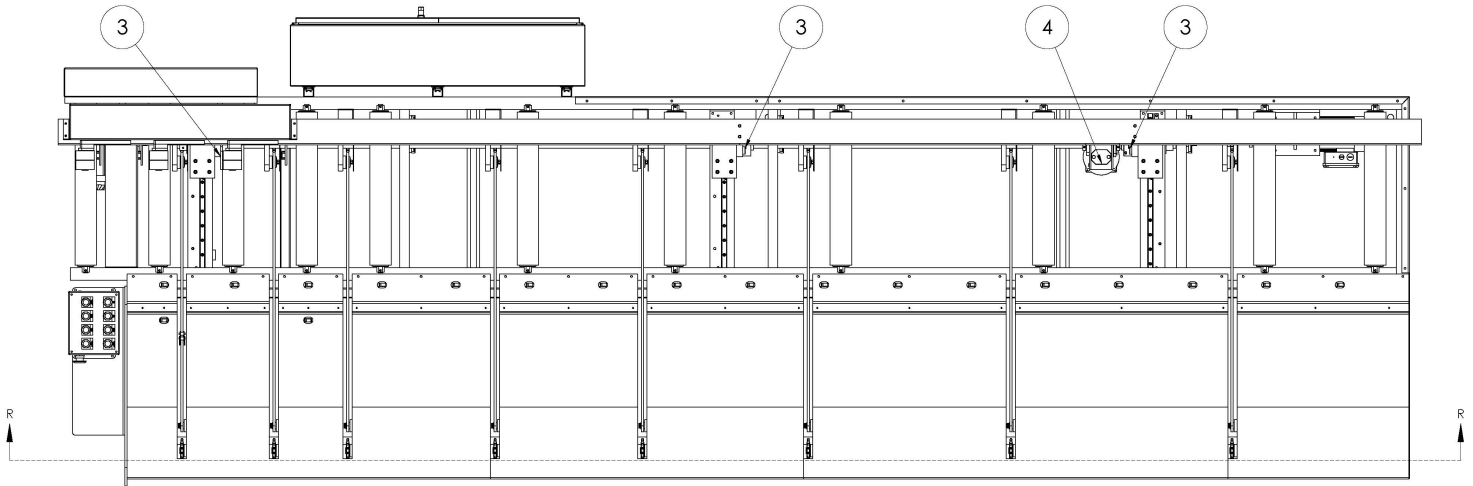
It is recommended that these greases or their equivalents be used on the Mereen-Johnson Machine Company Equipment.

General Recommendations

Gopher Oil Company	Molylub 126-EP, #1 or #2
Continental Oil Company	Conoco Superlub NLGI #2
Shell Oil Company	Cyprina #3
Socony Vacuum Oil Company	Mobilux #2
Standard Oil of California.....	Calol
The Texas Company.....	Unitemp
The Texas Company.....	Hitetemp
The Texas Company.....	Regal Starfak AFB #2
Sunoco.....	Sunaplex 992 EP

Grease

Lubrication (Con't.)

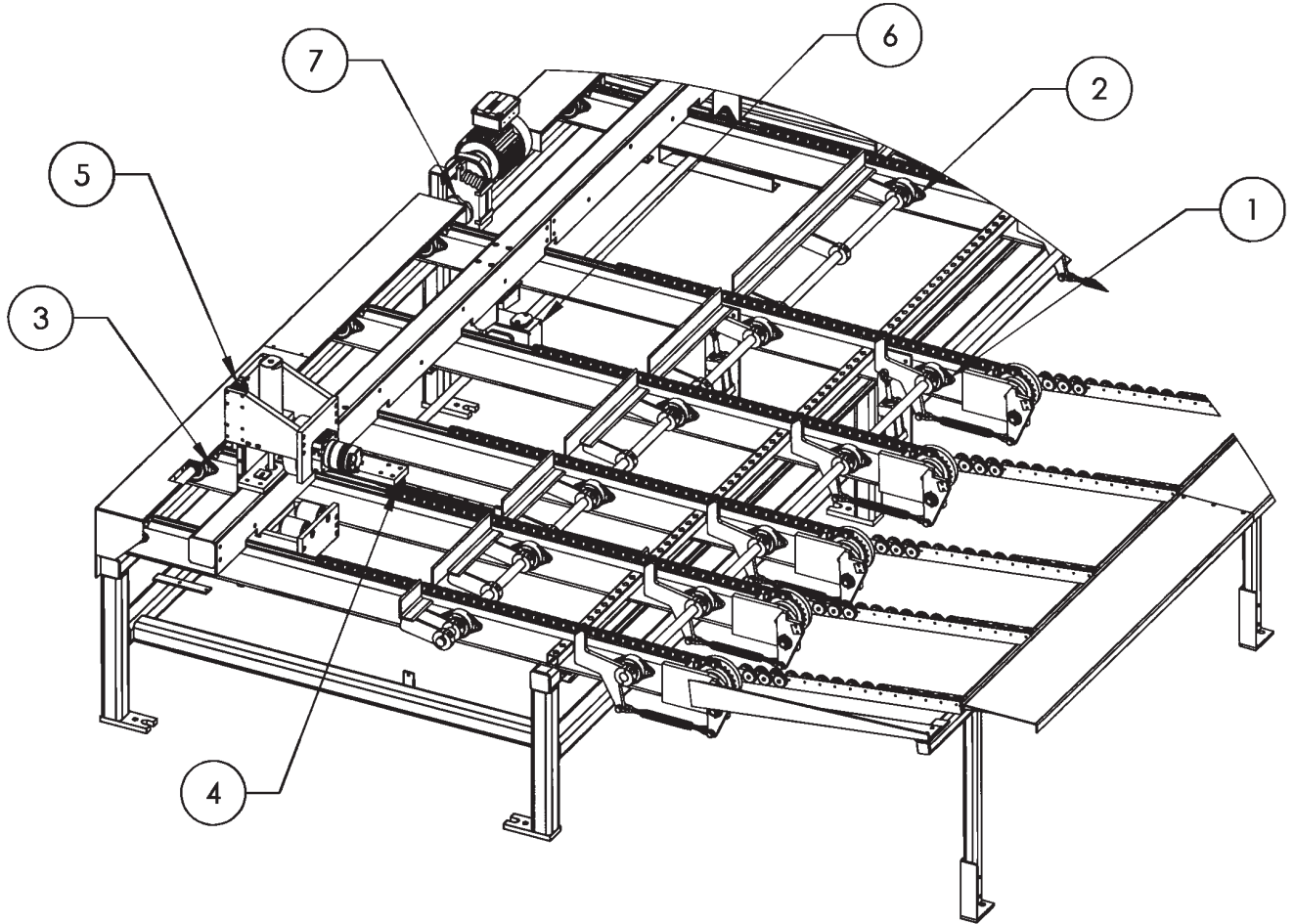


SECTION R-R

ITEM.	DESCRIPTION	FREQUENCY
①	HOLD DOWN PIVOT BEARINGS	YEARLY
②	GEARBOX, DRIVE ROLLS	LUBE CHANGE YEARLY
③	GUIDE FENCE BEARINGS	400 HOURS
④	GEARBOX, GUIDE FENCE	LUBE CHANGE YEARLY
⑤	JUMP PIVOT SHAFT BEARINGS	YEARLY
⑥	CHAIN DRIVE SHAFT BEARINGS	400 HOURS
⑦	GEARBOX, CHAIN DRIVE	LUBE CHANGE YEARLY

Lubrication (Con't.)

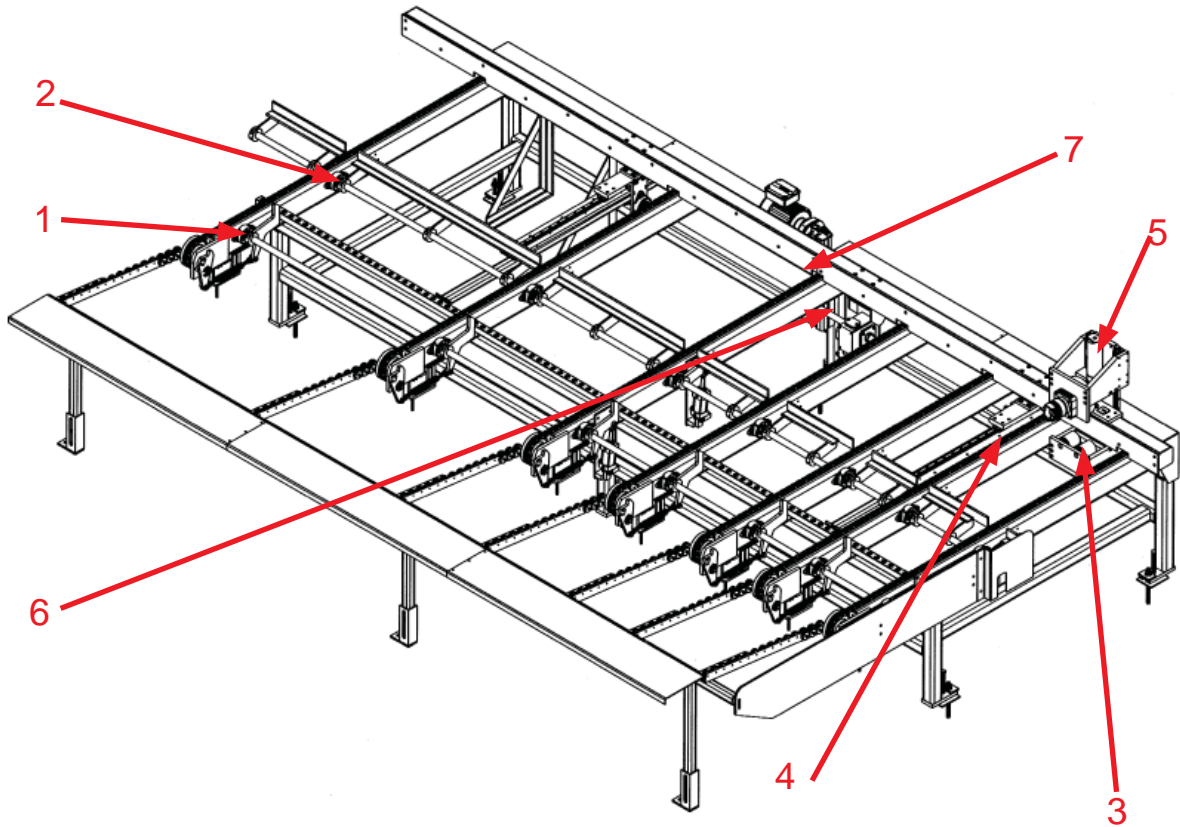
Lubrication Chart - 6



Item	Description	Qty	Frequency	Material
1	Stop Pivot Pillow Block Bearing	6	Every 400 hours of operation	1 oz of Grease
2	Disappearing Fence Pivot Brg	6	Every 400 hours of operation	1 oz of Grease
3	Head Shaft PB Bearing	6	Every 400 hours of operation	1 oz of Grease
4	Adj Fence Linear Bearing	4	Monthly	Purge with Grease
5	Fence Mounted Pinch Brg	8	Monthly	Purge with Grease
6	Fence Adjust Gear Box	1	Annually	Drain & Fill with 90W Gear Oil
7	Feed Drive Gear Box	1	Annually	Drain & Fill with 90W Gear Oil

Lubrication (Con't.)

Lubrication Chart - 7



Item	Description	Qty	Frequency	Material
1	Stop Pivot Pillow Block Bearing	7	Every 400 hours of operation	1 oz of Grease
2	Disappearing Fence Pivot Brg	7	Every 400 hours of operation	1 oz of Grease
3	Head Shaft PB Bearing	7	Every 400 hours of operation	1 oz of Grease
4	Adj Fence Linear Bearing	4	Monthly	Purge with Grease
5	Fence Mounted Pinch Brg	8	Monthly	Purge with Grease
6	Fence Adjust Gear Box	1	Annually	Drain & Fill with 90W Gear Oil
7	Feed Drive Gear Box	1	Annually	Drain & Fill with 90W Gear Oil